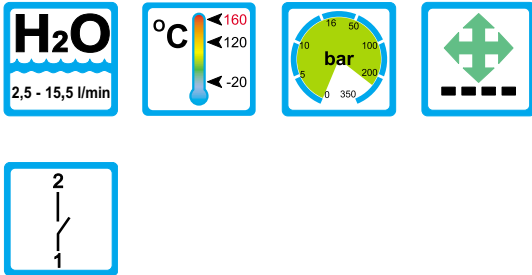


Flow Monitor

RMU-A



Range of Application

Operation

- Float measuring principle

Application

- Power cleaner
- Cooling systems and cooling circuits
- Mechanical engineering
- Research and development

Features

- Universal orientation
- High reliability
- Low sensitivity to dirt
- Infinitely variable switchpoint adjustment through user
- High pressure resistance
- Threaded connection, special threads on request

Installation hints

- The operating instructions for RMU must be observed!
- Download: www.meister-flow.com

Operating Data

Operating pressure max.	250 bar
Pressure drop	see summary of types
Maximum temperature	120 °C (optional 160 °C)
Accuracy	±10 % of full scale

Measuring Ranges

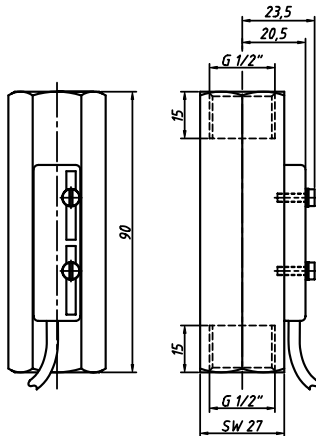
Type	Flow ranges for H ₂ O at 20 °C ⁽¹⁾		
	[l/min]	[gph]	[gpm]
RMU-A11	2,5 - 11,0	40,0 - 175,0	
RMU-A15	5,0 - 15,5	80,0 - 245,0	

⁽¹⁾ The specified data are switch-off points, other switch ranges on request.



Technical Data

Mechanical drawing



Electrical Data

Normally open

230V • 3A • 60VA

Protection type:

IP67: 1 m sealed in cable

Output signal

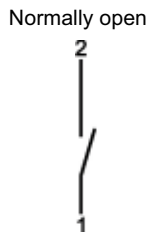
The contact opens, when the flow decreases below the set point.

Power supply

Not required (potentialfree reed contact)

Other cable lengths on request

Connection diagram



Summary of types

Type:

	pressure drop [mbar]	Thread (inlet)	Thread (outlet)	Weight (approx.) [g]
RMU-A11	25 - 175	IG, G 1/2"	IG, G 1/2"	320
RMU-A15	85 - 250	IG, G 1/2"	IG, G 1/2"	320

Material

wetted parts:

Body:	Brass
Float:	Brass
Spring:	1.4571
Magnets:	Hard ferrite

RMU-A 1 2 0002 06-09 E M