

KOLLMORGEN™

AKM Gearmotors

World Class Performance with no assembly required.

 **DANAHER**
MOTION

Helping you build a better machine, faster.

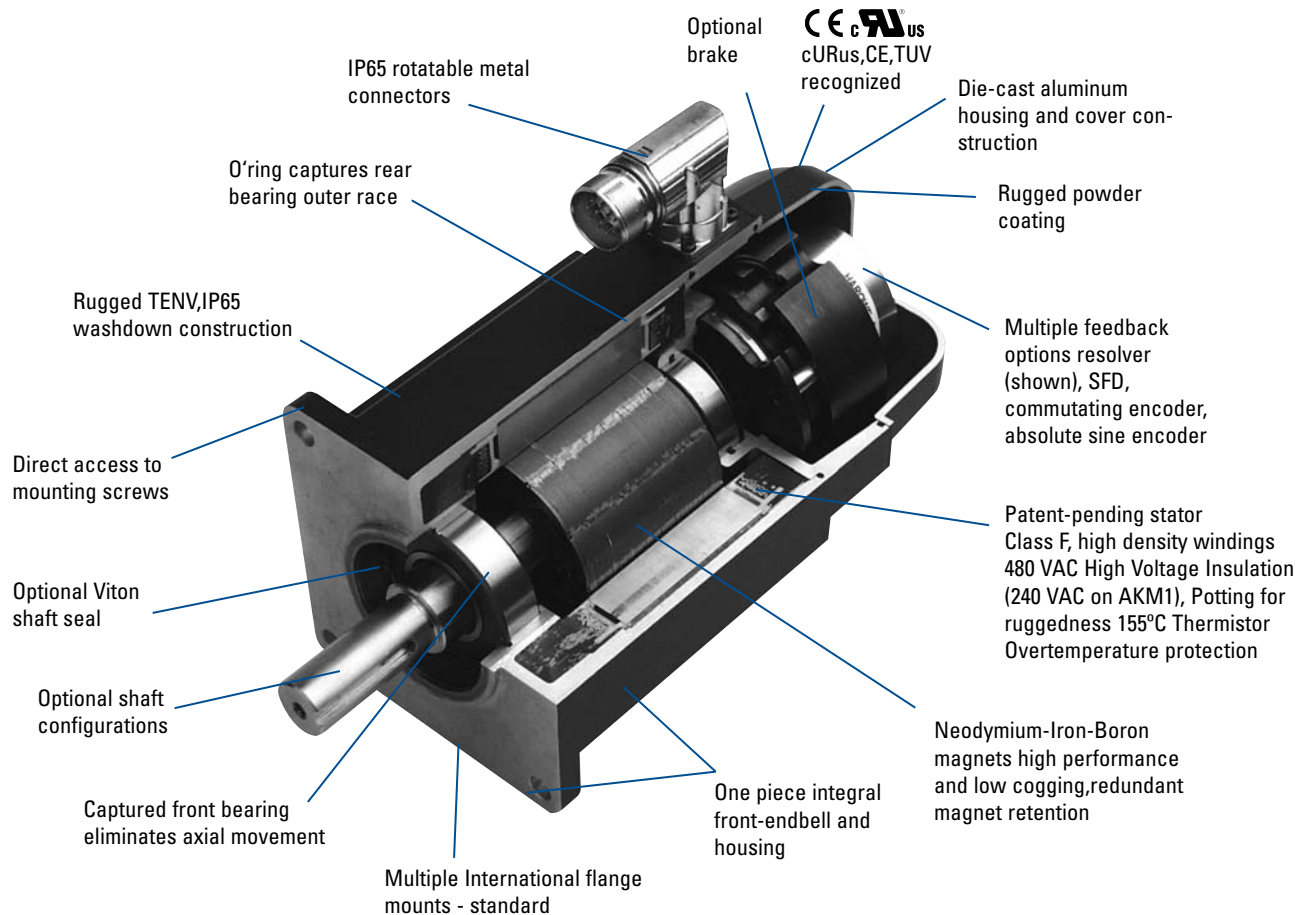
AKM Brushless Servomotors

The Kollmorgen AKM servomotors provide an unprecedented choice and flexibility from a wide range of standard products so you can select the best servo motor optimized for your application requirements. AKM servomotors offer the best of both worlds – the exact specifications of a custom solution with the faster delivery times and lower cost of a standard catalog product.



Features

- Best in class torque density with 25 stack/frame combinations
- Low-cog, low-harmonic distortion electro magnetic design
- European, North America and Japanese mounting standards
- More than 14 feedback variations of: resolver, SFD, commutating encoder, absolute sine encoders (single-turn and multi-turn) in the standard offering
- Single piece flow manufacturing providing faster delivery times on any arrangement of options
- Multiple feedback options resolver (shown), SFD, commutating encoder, absolute sine encoders
- Multiple International flange mounts – standard and the ability to customize
- Multiple shaft configurations – standard and the ability to customize
- Optional Teflon shaft seal



TRUE Planetary Gearheads

Danaher Motion offers the largest selection of TRUE planetary gearheads in the world. Product offerings include both in-line and right angle solutions ranging in frame size from 40mm to 220mm and ratios from 1:1 to 500:1. Danaher Motion's Helical Crowned TRUE Planetary design is industry leading in smoothness, torque and precision.

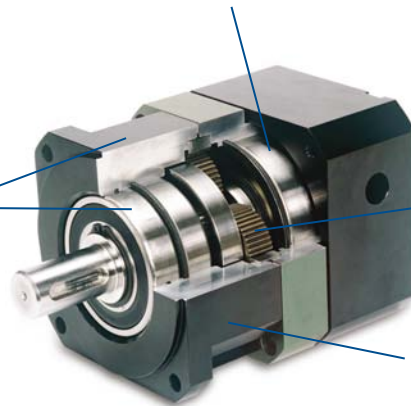


NemaTRUE Gearhead

- True Planetary Gearing Design
- Mounts to any motor with Micron's RediMount system
- 5 Available Frame Sizes
- High Precision: 13 arc-mins of backlash
- High Torque Capacity: Up to 5000 in-lbs
- High Radial Load Capacity: Up to 2000 lbs
- Ratio Availability: 3:1 to 100:1

RediMount system provides error-free motor installation

Sealed deep groove ball bearing provides precision alignment of sun gear



HRC 55-60 steel gears provide superior wear resistance and increased backlash integrity

Anodized aluminum housing reduces weight and prevents corrosion

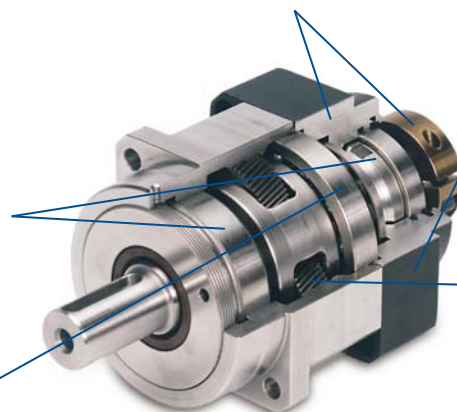
ValueTRUE Gearhead

- Helical Crowned True Planetary Gearing
- Mounts to any motor with Micron's RediMount system
- 8 Available Frame Sizes
- Ultra Precision: 4 arc-mins of backlash
- High Torque Capacity: 45,000 in-lbs
- High Radial Load Capacity: Up to 10,000 lbs
- Ratio Availability: 4:1 to 100:1

RediMount system provides error-free motor installation

Tapered roller bearings provide high axial and radial load carrying capacity

Sealed deep groove ball bearings provide high radial load carrying capability



Anodized aluminum housing reduces weight and prevents corrosion

Helical crowned HRC 55-60 steel gears provide higher torque capacity and smoother operation

AKM Gearmotors

For high-torque applications, Danaher Motion's performance gearmotor solutions offer incredible value. AKM servomotors attached to Micron TRUE Planetary gearheads create the industry leading system that sets the standard for torque value and performance.

The AKM Gearmotor World Class Performance delivered as a System

Typical Issues	AKM Gearmotor Solution
Project planning and multiple lead times	Let Danaher Motion solve your system needs within the standard lead-time of the motor. One system solution with one lead-time.
Single source your system solution	Danaher Motion provides a breadth of gearmotor systems with one Part Number to order and maintain.
High demand applications with torque limiting systems' speed performance	AKM's broad torque band allows higher speeds to be realized while providing precision speed regulation at the gearmotor output shaft.
Design of mounting / alignment hardware	AKM gearmotors offer one component to mount without the need for managing adapters between the motor and gearbox.
Imperfect alignment of gearbox and motor causes reduced performance and premature failure	Danaher Motion's AKM gearmotor eliminates alignment issues by combining, testing and qualifying each system at the factory.
Compliance in motor mounting to the load	AKM servomotors feature high motor-dynamics that are optimized through the torsional stiffness of the Micron TRUE gearhead.
Servo tuning difficulty due to backlash and compliance of gearbox	Micron TRUE planetary gearheads offer industry-leading accuracy (low backlash).
Increased backlash due to wearing gears	Micron TRUE planetary gearheads offer 100% load sharing over the hardened gears.
Motor bearing failure due to radial loading	Micron TRUE planetary gearheads resultant force on motor bearing is zero!
Gearbox lubrication and maintenance	Micron TRUE gearheads are lubricated for life with no maintenance required.

AKM Gearmotors. The new standard in Performance, Reliability and Convenience.

Combining the industry-leading torque density from AKM servomotors with the proven performance of Micron TRUE planetary gearheads produces a single factory integrated solution. Built for high torque applications, AKM gearmotors offer the precision and performance for the most demanding motion control environments.

- Easy selection of factory tested combinations, no matching of motor and gearhead required
- Single unit design for quick delivery of ready-to-mount system units
- Factory integrates and tested design eliminates assembly errors
- Save assembly time and get machines up and running faster
- Gain valuable machine space with the highest torque density gearmotors available



Motion Control Applications

- Converting
- Printing
- Semiconductor wafer fabrication
- Coating and film processing
- High speed electronic assembly
- Injection Molding
- Packaging
- Pedestal azimuth and elevation



EUROPE**Germany**

Danaher Motion GmbH
Wacholderstr. 40-42
D-40489 Düsseldorf
Germany
Phone: +49 (0) 203 9979-0
Fax: +49 (0) 203 9979 155
E-mail: info@danahermotion.net

United Kingdom

Danaher Motion
Chartmoor Road, Chartwell Business Park
Leighton Buzzard, Bedfordshire
LU7 4WG; United Kingdom
Phone: +44 (0)1525 243 243
Fax: +44 (0)1525 243 244
E-mail: uksales@danahermotion.com

France

Danaher Motion
C.P 80018
12, Rue Antoine Becquerel – Z.I. Sud
F – 72026 Le Mans Cedex 2
France
Phone: +33 (0) 243 50 03 30
Fax: +33 (0) 243 50 03 39
E-mail: sales.france@tollo.com

Italy

Danaher Motion srl
Largo Brughetti
I - 20030 Bovisio Masciago
Italy
Phone: +39 0362 594260
Fax: +39 0362 594263
E-mail: info@danahermotion.it

Sweden

Danaher Motion Stockholm AB
Solkraftsvägen 13
SE-135 70 Stockholm
Sweden
Phone: +46 (0) 8-682 64 00
Fax: +46 (0) 8-682 65 80
E-mail: info@danahermotion.se

Switzerland

Danaher Motion
La Pierreire 2
1029 Villars-Ste-Croix
Switzerland
Phone: +41 (0) 21 631 33 33
Fax: +41 (0) 21 636 05 09
E-mail: info@danaher-motion.ch

USA, CANADA or MEXICO

Danaher Motion
150 Mittel Blvd.
Wood Dale, IL 60191 USA
Toll-Free: 1-866-99-Danaher-Motion
(1-866-933-2624)
Phone: 1-636-980-3382
Fax: 1-636-281-1517
E-mail: contactus@danahermotion.com

ASIA**China**

Danaher Motion
Rm 2205, Scitech Tower
22 Jianguomen Wai Street
Beijing, China, 100004
Phone: +86 10 6515 0260
Fax: +86 10 6515 0263
E-mail: chinainfo@danahermotion.com.cn

Japan

Danaher Motion Japan
3F, 2nd Nagaoka Bldg
2-8-5, Hacchobori, Chuo-ku
Tokyo 104-0032 Japan
Phone: +81-3-6222-1051
Fax: +81-3-6222-1055
E-mail: info@danahermotion.com

