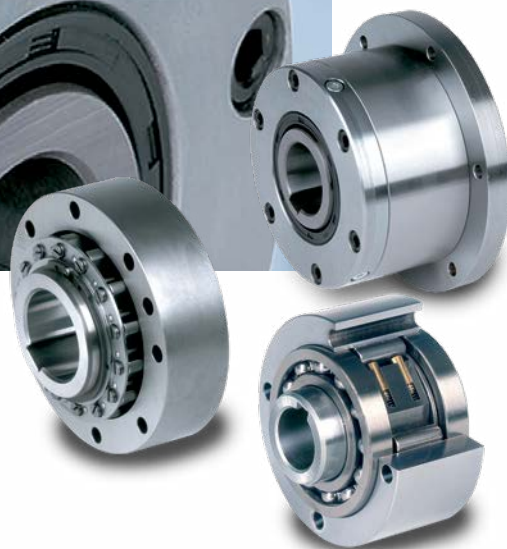
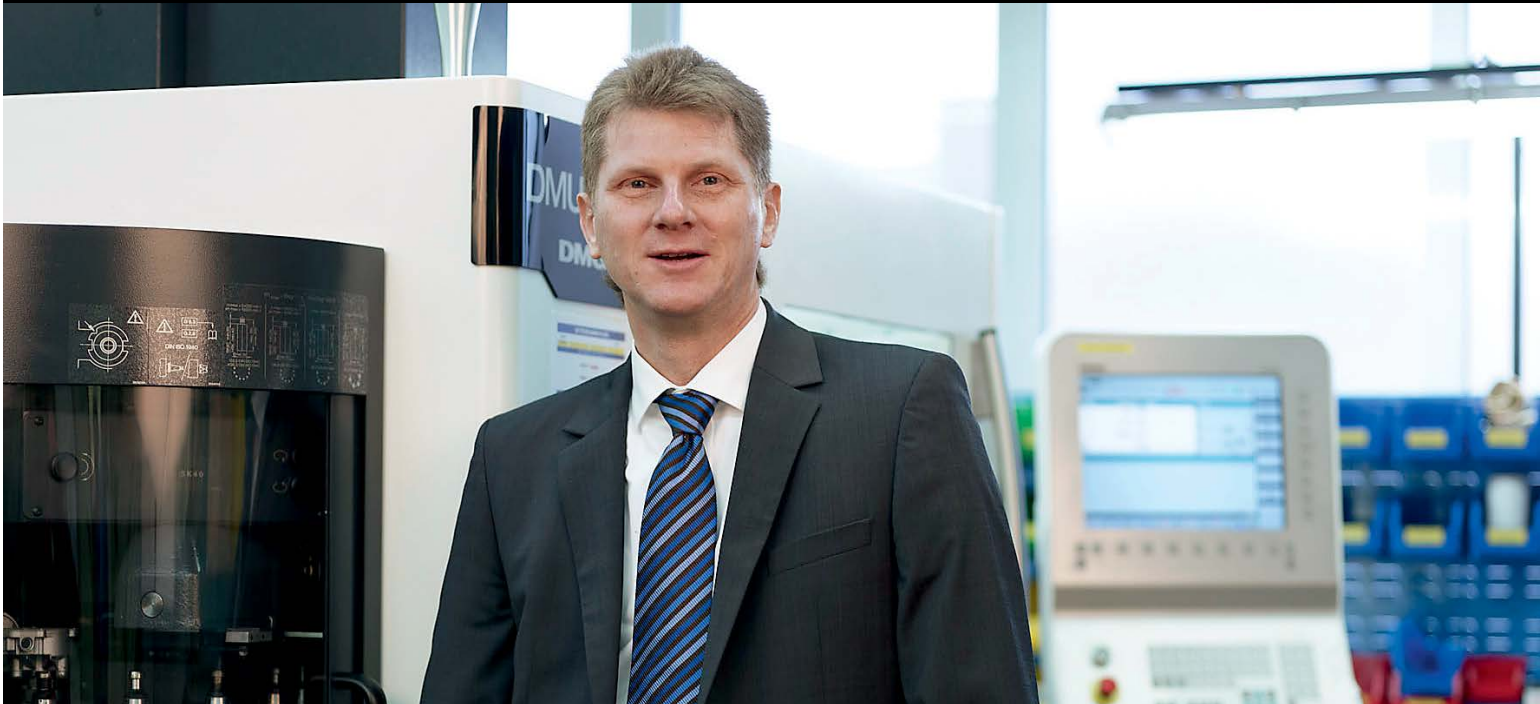


## Overrunning Clutches and Backstops





## COMPETENCE IS OUR STRENGTH

Stieber was founded in Munich in 1937 and is now a medium-sized company employing 140 people at its locations in Heidelberg and Garching near Munich.

Our core business activity is the design and production of drive elements for mechanical engineering systems.

Our major strength is the development and production of overrunning clutches and backstops, which transmit torque by means of friction.

Stieber can reflect on numerous innovative developments during the course of the company's history; innovations that have made it the European market leader. Stieber proved its technical ability once again during the development and design of the largest backstop in the world, for example. This and other backstops are being successfully used even under the toughest of conditions.

Stieber, part of the Regal Rexnord Group is – together with its sister companies Formsprag and Marland in the USA – the world's market leader for overrunning clutches and backstops.

Our extensive world-wide service network including more than 1000 stocking distributors and technical centres ensures we are always close to the customers.

Our company philosophy is total customer satisfaction. To achieve this, our processes undergo continual refinement. Stieber has been certified according to DIN EN ISO 9001 since 1997 and according to ISO 14001 (environment management system) since the year 2000. In addition, an internal monitoring process ensures that quality, timeliness and costs are always to the fore.

# REFERENCES



Conveyor belts  
 Coal crushing equipment  
 Pumps  
 Rolling mills  
 Seed drilling machines  
 Rotary furnaces  
 Silos  
 Ventilators  
 Forming machines  
 Print machinery  
 Engine test benches  
 Car washing systems  
 Round Balers  
 Roller coasters  
 Textile machines  
 High-voltage switchgear  
 Fitness equipment  
 Winches  
 Clay pigeon traps  
 Automotive industry  
 Aerospace  
 Power station technology

## MANY CUSTOMERS PUT THEIR TRUST IN STIEBER.

The application possibilities for Stieber overrunning clutches range from small office or fitness devices through to 3.0 MW heavy-duty machinery or conveyor belts 20 km long.

Many overrunning clutch designs have resulted from the application requirements of our customers, who have thus been able to find an optimum solution for their application using Stieber overrunning clutches.

Many leading machine manufacturers in a wide range of different areas of industry put their trust in Stieber. Such as Mr. Daebel from the company Heidelberger Druckmaschinen AG:

**“We have been purchasing overrunning clutches from Stieber for more than 20 years now. The quality of the products has made a major contribution to keeping the reliability and durability of our machines at a high standard. In the case of new developments, Stieber reacts quickly, producing exemplary solutions which allow us to continually increase our machine performance.”**

Just like “Heidelberg Druckmaschinen AG”, simply get in touch with us if you need standard or special overrunning clutches.

We look forward to being able to quote and supply you with the best solution for your application.

# PRODUCTS

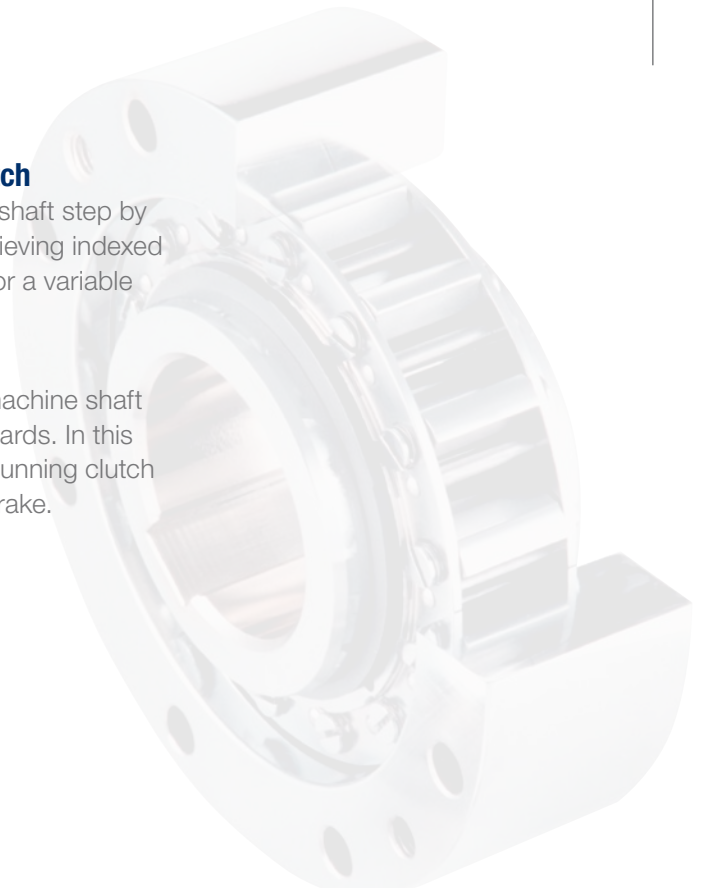
## THE PRINCIPLE

Overrunning clutches are directional couplings, which means they are engaged and disengaged automatically, depending on the relative direction of rotation of the driving and driven sides.

Practical applications of this principle:

- **Overrunning clutch**  
for multiple-machine drives or to separate the inertia of masses of a driven machine from the driving machine after it has been switched off.

- **Indexing clutch**  
which turns a shaft step by step, thus achieving indexed material feed or a variable speed.
- **Backstop**  
to prevent a machine shaft turning backwards. In this case the overrunning clutch is used as a brake.



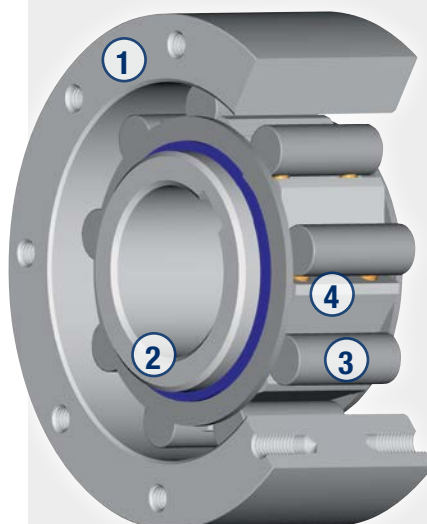
## BASIC FORMS

To achieve the above-described functions, so-called locking elements are positioned between an outer and an inner race which effect engaging and disengaging.

These locking elements are in two basic designs:

- **Roller clutch**  
which are mainly used as overrunning and indexing clutches.
- **Sprag clutch**  
which are most suitable as backstops, here mainly the contact-free versions.

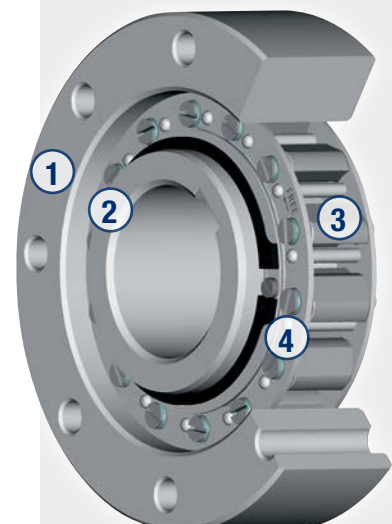
### Roller clutch



1. Outer race
2. Inner race
3. Locking roller
4. Spring-loaded plunger

- Rugged
- Versatile
- High indexing accuracy
- High performance overrunning clutch

### Sprag clutch



1. Outer race
2. Inner race
3. Sprag
4. Cage

- High overrunning speed
- High torque capacity
- High eccentricity tolerances
- Accepts many lubricants

## OUR INNOVATIVE IDEAS LEAD TO FORWARD-LOOKING RESULTS

“Stieber is the only manufacturer of overrunning clutches in the world which is familiar with all clutch technologies such as roller and sprag clutch variants.

Our company has proven ability in the overrunning clutch technology sector. This is not least guaranteed by our team of extremely experienced engineers. Alongside development work and regular improvement of the basic forms, unique solutions have been found over the years, such as:

- Housing overrunning clutches with pump-less internal oil circulating lubrication
- Overrunning clutches that can be disengaged manually or pneumatically
- Load sharing and releasable backstops
- No-backs

More than 4,000 special designs have been developed for customer-specific applications. We can supply overrunning clutches with torques of between 0.8 and 1.7 million Nm – the best solution for your application.”



For us, customer support is not just an empty phrase. Which is why we always get excellent results.



The very latest CAD systems guarantee Stieber precision and quality.

DEVELOPMENT

# PRODUCTION



QUICKLY AND ACCURATELY.  
THAT'S HOW **STIEBER** WORKS.

“Both standard catalogue products and customer-specific products are manufactured according to the very latest technical standards in our two factories. Our qualified employees manufacture your products with great care and responsibility.

Our commitment to continuous improvement means that our systems and processes are constantly under review. Over the past few years this has led to a 30% time saving in manufacture, for example.

The assembly and warehouse departments register requirements using a Kanban system. This improves the availability of standard parts and optimises on-schedule deliveries. If you purchase your overrunning clutches from Stieber, you can be sure you've come to the right place for absolute reliability for your machines and systems – guaranteed.”

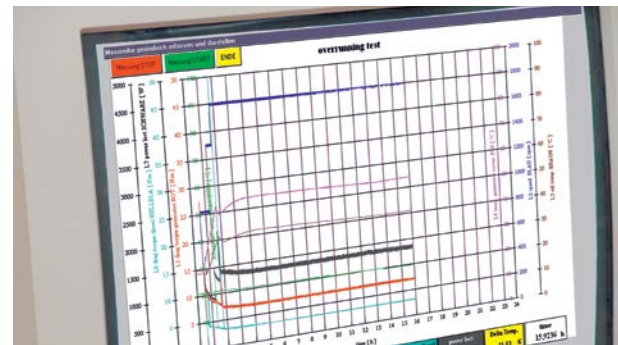


THE **QUALITY** HAS TO BE RIGHT.  
AND THAT'S SOMETHING YOU CAN RELY ON.

“Total quality is assured both by meeting prescribed product performance specifications and thanks to the reliability of manufacturing methods and process workflows including integrated tests. The key technical data of Stieber products are either calculated using FVA methods and/or verified on our test benches.

We have test machines with a torque capacity of up to 700,000 Nm. During idling, units with a bore up to 600 mm can be tested at speeds of up to 1,500 rpm. The modern equipment in our quality department allows us to carry out all the necessary tests ourselves, such as those for the nuclear power industry, for example. Thanks to this, Stieber has been certified by Areva among others in compliance with KT 1401.”

QUALITY



Test bench and test results:  
Stieber products always fulfil the  
promised properties.

## Stieber Facilities

### Europe

#### Germany

Hatschekstraße 36  
69126 Heidelberg - Germany  
+49 (0) 6221-30470

*Overrunning Clutches  
and Holdbacks*

Dieselstraße 14  
85748 Garching  
+49 (0) 8932-9010

### North America

#### USA

23601 Hoover Road  
Warren, MI 48089 - USA  
586-758-5000

*Overrunning Clutches  
and Holdbacks*

### South America

#### Brazil

Avenida João Paulo Ablas, 2970  
Jardim da Glória, Cotia - SP,  
06711-250 - Brasil  
+55 (11) 4615-6300

*Overrunning Clutches  
and Holdbacks*

### Asia Pacific

#### Australia

+61 2 9894 0133

#### China

+86 21 5169-9255

#### Hong Kong

+852 2615 9313

#### Singapore

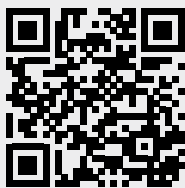
+65 6487 4464

#### Taiwan

+886 2 2577 8156

#### Thailand

+66 2322 5527



Scan to see all  
the brands of  
Regal Rexnord

Neither the accuracy nor completeness of the information contained in this publication is guaranteed by the company and may be subject to change in its sole discretion. The operating and performance characteristics of these products may vary depending on the application, installation, operating conditions and environmental factors. The company's terms and conditions of sale can be viewed at <http://www.altramotion.com/terms-and-conditions/sales-terms-and-conditions>. These terms and conditions apply to any person who may buy, acquire or use a product referred to herein, including any person who buys from a licensed distributor of these branded products.

©2023 by Stieber LLC. All rights reserved. All trademarks in this publication are the sole and exclusive property of Stieber LLC or one of its affiliated companies.



A REGAL REXNORD BRAND

[www.stieber.de](http://www.stieber.de)

P-7694-SC-A4 1/19